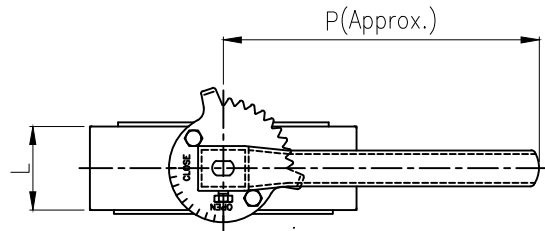


DIMENSIONS

UNIT: mm

NOMINAL DIAMETER	L	FLANGE 5K		FLANGE 10K		H1	H2	H3	P	Approx. Weight (kg)
		∅C	N-M TAP	∅C	N-M TAP					
40A(1 1/2")	40	95	4-M12	105	4-M16	55	115	34	210	6
50A(2")	43	105	4-M12	120	4-M16	58	125	34	210	6.5
65A(2 1/2")	46	130	4-M12	140	4-M16	67	142	34	210	7



APPLICABLE CODE

1. FLANGE RATING : JIS B 2220
2. FACE TO FACE DIMENSION : JIS F 7480
3. DESIGN BASE : API 609
4. HYDROSTATIC TEST : API 598

FLANGE 5K/10K	DESIGN PRESSURE 5K/10K
SHELL TEST	DESIGN PRESSURE X 1.5
SEAT TEST	DESIGN PRESSURE X 1.1

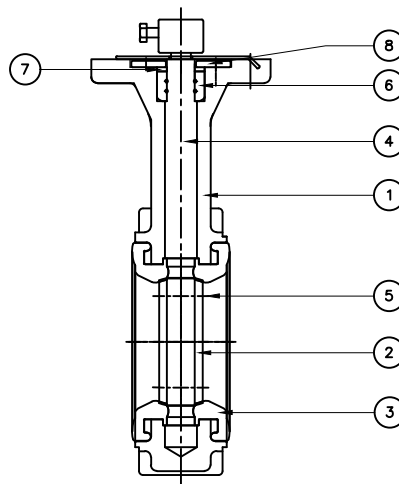
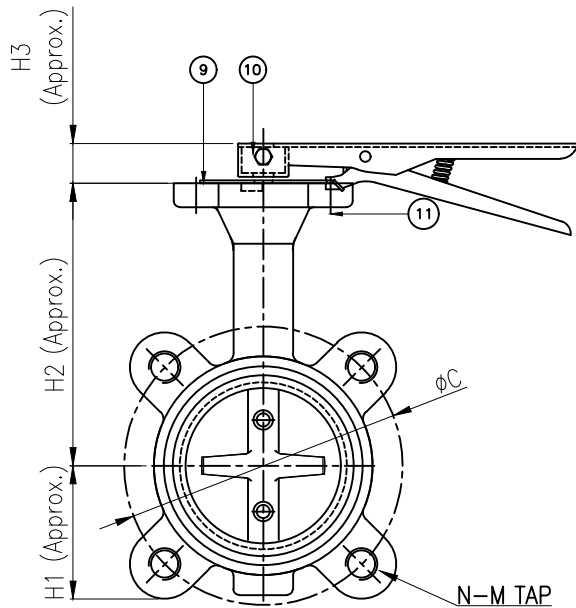


Table 4	SUS304	SUS316	
Table 3	SUS304	SUS316	
Table 2	NBR	EPDM	Hi-NBR
Table 1	SCS13	SCS14	

No.	PART NAME	MATERIAL	Q'TY	REMARK
11	LEVER BOLT	CARBON STEEL	1SET	
10	LEVER	SS400	1	
9	INDICATOR	SS400	1	
8	GLAND FLANGE	SS400	1	
7	GLAND BUSH	PTFE	1	
6	PACKING	NBR	1	
5	DISC PIN	See Table 4	1SET	
4	SHAFT	See Table 3	1	
3	BODY SEAT	See Table 2	1	
2	DISC	See Table 1	1	
1	BODY	SC480	1	

APPD	H.T	MODEL	DN40~DN65	DWG.No	WV17-1211-01	
CHKD	K.T	TITLE			DATE	2018/6/27
DWG.	H.T	LEVER TYPE BUTTERFLY VALVE			SCALE	N/S

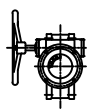
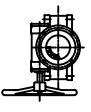
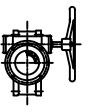
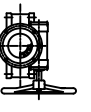


WORLD VALVE CO.,LTD.

D I M E N S I O N S

UNIT: mm

NOMINAL DIAMETER	L	FLANGE 5K		FLANGE 10K		H1	H2	H3	H4	P	E	øM	Approx. Weight (kg)	Gear Ratio
		øC	N-M TAP	øC	N-M TAP									
40A(1 1/2")	40	95	4-M12	105	4-M16	55	115	56	141	145	43	150	10.5	24:1
50A(2")	43	105	4-M12	120	4-M16	58	125	56	151	145	43	150	11	24:1
65A(2 1/2")	46	130	4-M12	140	4-M16	67	142	56	168	145	43	150	11.5	24:1

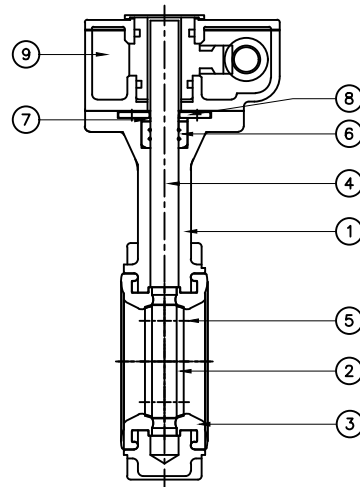
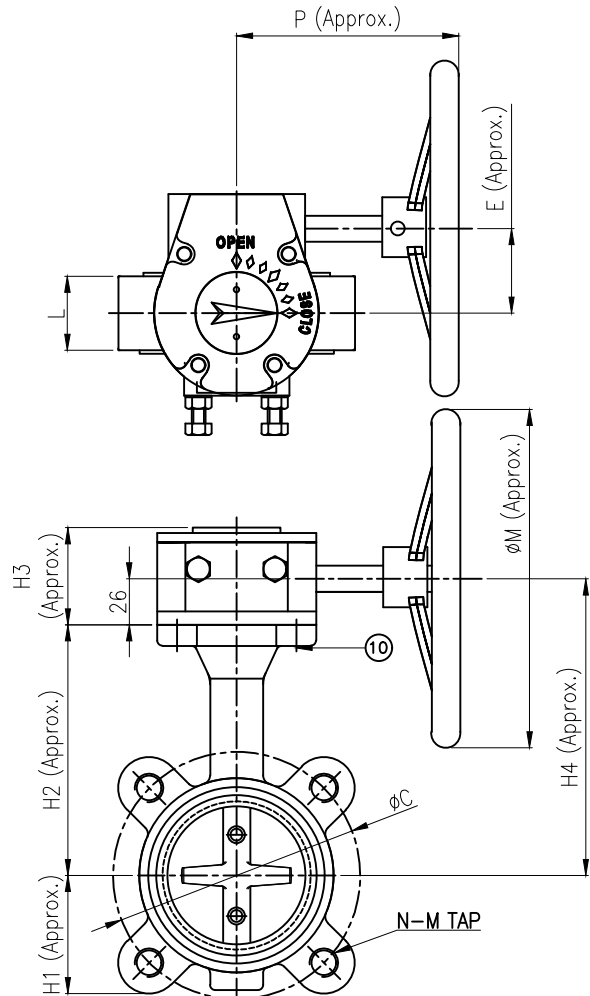
Position Code	A1	A7	B1	B3
Sketch View From Valve Top Side				

APPLICABLE CODE

1. FLANGE RATING : JIS B 2220
2. FACE TO FACE DIMENSION : JIS F 7480
3. DESIGN BASE : API 609
4. HYDROSTATIC TEST : API 598

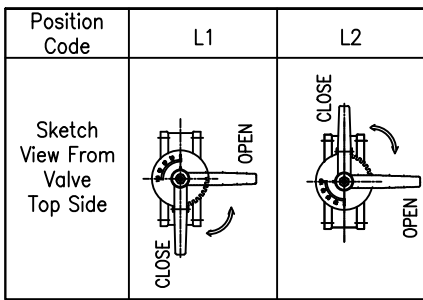
FLANGE 5K/10K	DESIGN PRESSURE 5K/10K
SHELL TEST	DESIGN PRESSURE X 1.5
SEAT TEST	DESIGN PRESSURE X 1.1

Table 4	SUS304	SUS316	
Table 3	SUS304	SUS316	
Table 2	NBR	EPDM	Hi-NBR
Table 1	SCS13	SCS14	

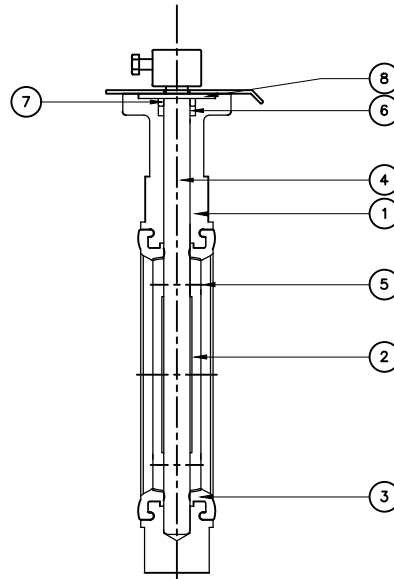
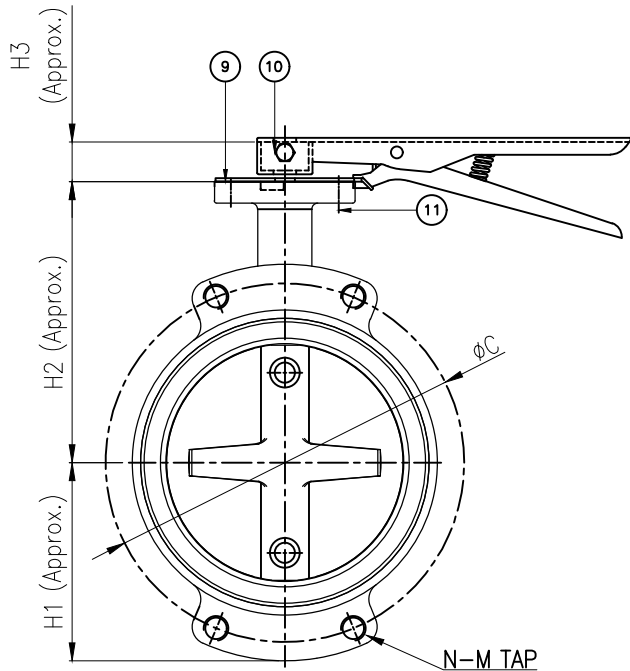
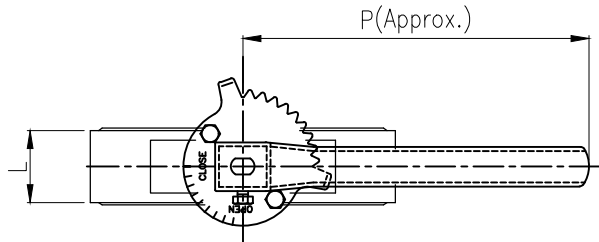


10	GEAR BOX BOLT	CARBON STEEL	1SET
9	GEAR BOX	ASS'Y	1
8	GLAND FLANGE	SS400	1
7	GLAND BUSH	PTFE	1
6	PACKING	NBR	1
5	DISC PIN	See Table 4	1SET
4	SHAFT	See Table 3	1
3	BODY SEAT	See Table 2	1
2	DISC	See Table 1	1
1	BODY	SC480	1

No.	PART NAME	MATERIAL	Q'TY	REMARK
APPD	H.T	MODEL	DN40~DN65	DWG.No
CHKD	K.T	TITLE	CONCENTRIC SEMI LUG	
DWG.	H.T	GEAR TYPE BUTTERFLY VALVE		SCALE



DIMENSIONS										UNIT: mm
NOMINAL DIAMETER	L	FLANGE 5K		FLANGE 10K		H1	H2	H3	P	Approx. Weight (kg)
		∅C	N-M TAP	∅C	N-M TAP					
80A(3")	46	145	4-M16	150	4-M16	86	150	34	262	7.5
100A(4")	52	165	4-M16	175	4-M16	105	163	34	262	8.5
125A(5")	56	200	4-M16	210	4-M20	125	176	34	262	10.5
150A(6")	56	230	4-M16	240	4-M20	140	185	34	262	11.5
200A(8")	60	280	4-M20	290	4-M20	165	230	34	256	14.5



APPLICABLE CODE

1. FLANGE RATING : JIS B 2220
2. FACE TO FACE DIMENSION : JIS F 7480
3. DESIGN BASE : API 609
4. HYDROSTATIC TEST : API 598

FLANGE 5K/10K	DESIGN PRESSURE 5K/10K
SHELL TEST	DESIGN PRESSURE X 1.5
SEAT TEST	DESIGN PRESSURE X 1.1

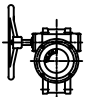
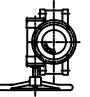
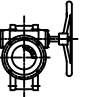
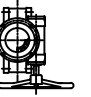
Table 4	SUS304	SUS316	
Table 3	SUS304	SUS316	
Table 2	NBR	EPDM	Hi-NBR
Table 1	SCS13	SCS14	

11	LEVER BOLT	CARBON STEEL	1SET		
10	LEVER	SS400	1		
9	INDICATOR	SS400	1		
8	GLAND FLANGE	SS400	1		
7	GLAND BUSH	PTFE	1		
6	PACKING	NBR	1		
5	DISC PIN	See Table 4	1SET		
4	SHAFT	See Table 3	1		
3	BODY SEAT	See Table 2	1		
2	DISC	See Table 1	1		
1	BODY	SC480	1		
No.	PART NAME	MATERIAL	Q'TY	REMARK	
APPD	H.T	MODEL	DN80~DN150	DWG.No	WV17-1211-01
CHKD	K.T	TITLE		DATE	2018/6/27
DWG.	H.T	CONCENTRIC SEMILUG LEVER TYPE BUTTERFLY VALVE		SCALE	N/S

DIMENSIONS

UNIT: mm

NOMINAL DIAMETER	L	FLANGE 5K		FLANGE 10K		H1	H2	H3	H4	P	E	øM	Approx. Weight (kg)	Gear Ratio
		øC	N-M TAP	øC	N-M TAP									
80A(3")	46	145	4-M16	150	4-M16	86	150	56	176	145	43	150	12	24:1
100A(4")	52	165	4-M16	175	4-M16	105	163	56	189	145	43	150	13	24:1
125A(5")	56	200	4-M16	210	4-M20	125	176	56	202	145	43	150	15	24:1
150A(6")	56	230	4-M16	240	4-M20	140	185	56	211	145	43	150	16	24:1
200A(8")	60	280	4-M20	290	4-M20	165	230	56	256	145	43	200	20	24:1

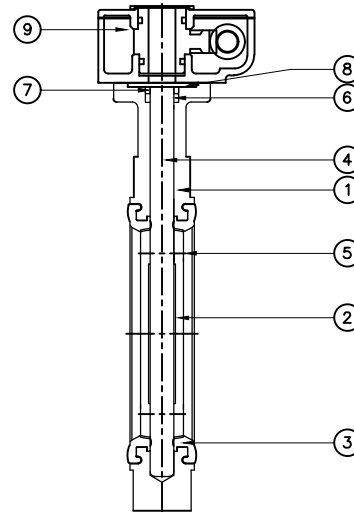
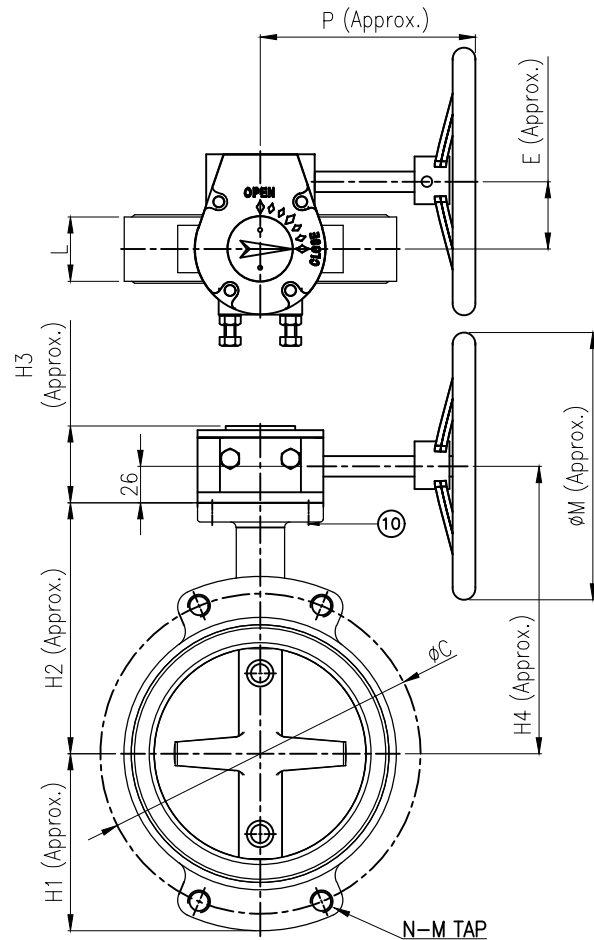
Position Code	A1	A7	B1	B3
Sketch View From Valve Top Side				

APPLICABLE CODE

1. FLANGE RATING : JIS B 2220
2. FACE TO FACE DIMENSION : JIS F 7480
3. DESIGN BASE : API 609
4. HYDROSTATIC TEST : API 598

FLANGE 5K/10K	DESIGN PRESSURE 5K/10K
SHELL TEST	DESIGN PRESSURE X 1.5
SEAT TEST	DESIGN PRESSURE X 1.1

Table 4	SUS304	SUS316	
Table 3	SUS304	SUS316	
Table 2	NBR	EPDM	Hi-NBR
Table 1	SCS13	SCS14	



10	GEAR BOX BOLT	CARBON STEEL	1SET	
9	GEAR BOX	ASS'Y	1	
8	GLAND FLANGE	SS400	1	
7	GLAND BUSH	PTFE	1	
6	PACKING	NBR	1	
5	DISC PIN	See Table 4	1SET	
4	SHAFT	See Table 3	1	
3	BODY SEAT	See Table 2	1	
2	DISC	See Table 1	1	
1	BODY	SC480	1	
No.	PART NAME	MATERIAL	Q'TY	REMARK

APPD	H.T	MODEL	DN80~DN200	DWG.No	WW17-1211-01	
CHKD	K.T	TITLE	CONCENTRIC SEMI LUG		DATE	2018/6/27
DWG.	H.T	GEAR TYPE BUTTERFLY VALVE		SCALE	N/S	

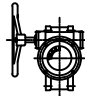


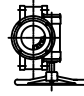


WORLD VALVE CO.,LTD.

D I M E N S I O N S

UNIT: mm

NOMINAL DIAMETER	L	FLANGE 5K		FLANGE 10K		H1	H2	H3	H4	P	E	øM	Approx. Weight (kg)	Gear Ratio
		øC	N-M TAP	øC	N-M TAP									
250A(10")	68	345	4-M20	355	4-M22	224	267	70	302	210	65	260	36	32:1
300A(12")	78	390	4-M20	400	4-M22	260	310	70	345	210	65	260	47	32:1
350A(14")	78	435	4-M22	445	4-M22	280	338	70	373	210	65	260	55	32:1

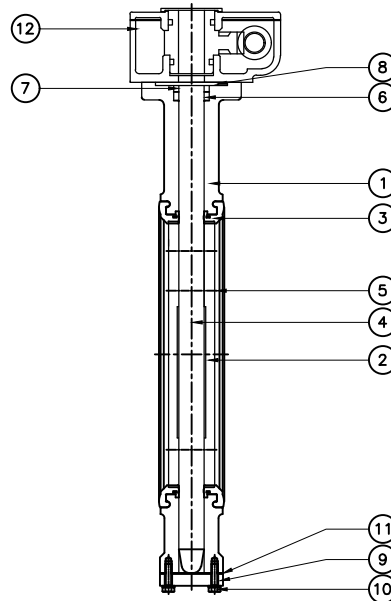
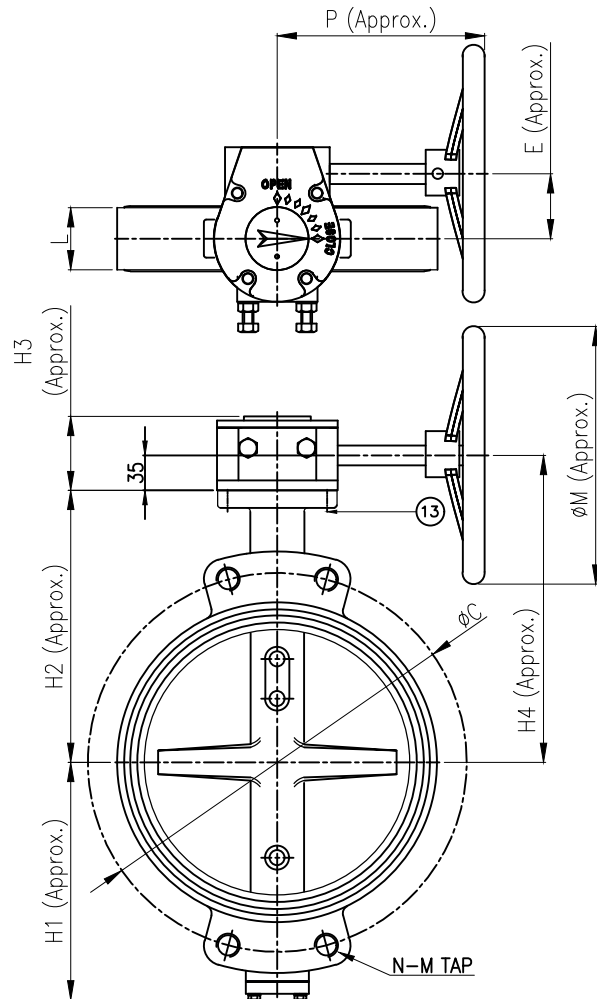
Position Code	A1	A7	B1	B3
Sketch View From Valve Top Side				

APPLICABLE CODE

1. FLANGE RATING : JIS B 2220
2. FACE TO FACE DIMENSION : JIS F 7480
3. DESIGN BASE : API 609
4. HYDROSTATIC TEST : API 598

FLANGE 5K/10K	DESIGN PRESSURE 5K/10K
SHELL TEST	DESIGN PRESSURE X 1.5
SEAT TEST	DESIGN PRESSURE X 1.1

Table 4	SUS304	SUS316	
Table 3	SUS304	SUS316	
Table 2	NBR	EPDM	Hi-NBR
Table 1	SCS13	SCS14	



13	GEAR BOX BOLT	CARBON STEEL	1SET	
12	GEAR BOX	ASS'Y	1	
11	GASKET	GRAPHITE	1	
10	END COVER BOLT	CARBON STEEL	1SET	
9	END COVER	SS400	1	
8	GLAND FLANGE	SS400	1	
7	GLAND BUSH	PTFE	1	
6	PACKING	NBR	1	
5	DISC PIN	See Table 4	1SET	
4	SHAFT	See Table 3	1	
3	BODY SEAT	See Table 2	1	
2	DISC	See Table 1	1	
1	BODY	SC480	1	
No.	PART NAME	MATERIAL	Q'TY	REMARK

APPD	H.T	MODEL	DN250~DN350	DWG.No	WV17-1211-01
CHKD	K.T	TITLE		DATE	2018/6/27
DWG.	H.T	CONCENTRIC SEMI LUG GEAR TYPE BUTTERFLY VALVE		SCALE	N/S

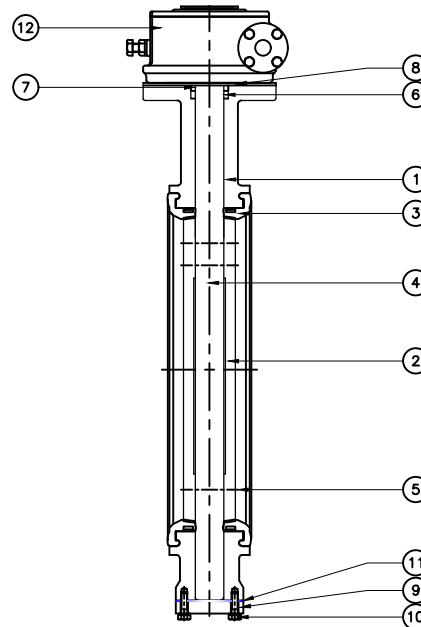
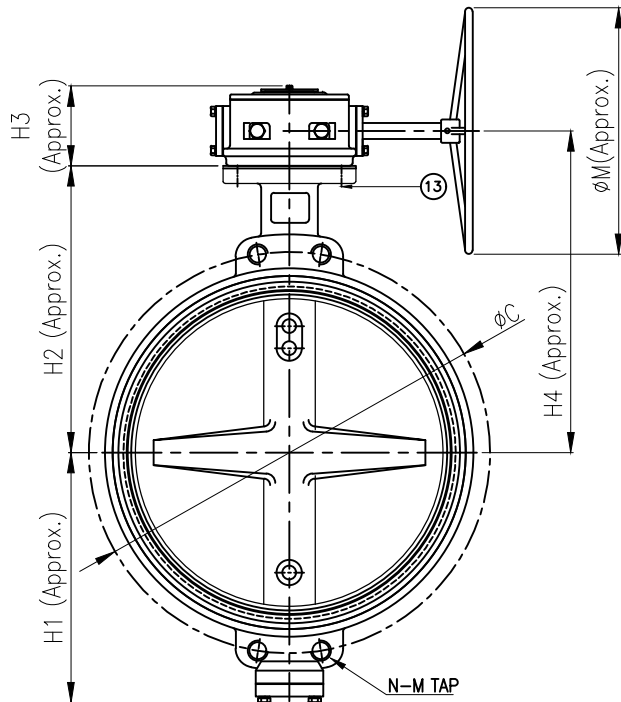
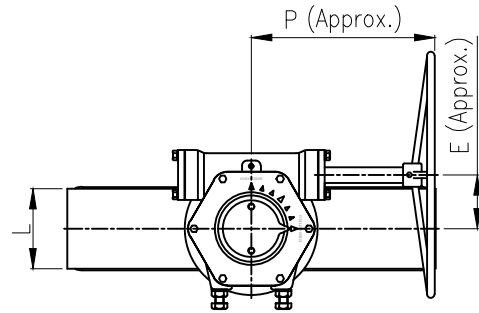


WORLD VALVE CO.,LTD.

DIMENSIONS

UNIT: mm

NOMINAL DIAMETER	L	FLANGE 5K		FLANGE 10K		H1	H2	H3	H4	P	E	øM	Approx. Weight (kg)	Gear Ratio
		øC	N-M TAP	øC	N-M TAP									
400A(16")	102	495	4-M22	510	4-M24	325	375	100	425	280	79	350	110	42:1
450A(18")	114	555	4-M22	565	4-M24	350	390	100	440	280	79	350	127	42:1
500A(20")	127	605	4-M22	620	4-M24	385	450	135	505	310	103	400	203	48:1
550A(22")	154	665	4-M24	680	4-M30	420	460	135	515	310	103	400	268	48:1



Position Code	A1	A7	B1	B3
Sketch View From Valve Top Side				

APPLICABLE CODE

1. FLANGE RATING : JIS B 2220
2. FACE TO FACE DIMENSION : JIS F 7480
3. DESIGN BASE : API 609
4. HYDROSTATIC TEST : API 598

FLANGE 5K/10K	DESIGN PRESSURE 5K/10K
SHELL TEST	DESIGN PRESSURE X 1.5
SEAT TEST	DESIGN PRESSURE X 1.1

Table 4	SUS304	SUS316	
Table 3	SUS304	SUS316	
Table 2	NBR	EPDM	Hi-NBR
Table 1	SCS13	SCS14	

13	GEAR BOX BOLT	CARBON STEEL	1SET	
12	GEAR BOX	ASS'Y	1	
11	GASKET	GRAPHITE	1	
10	END COVER BOLT	CARBON STEEL	1SET	
9	END COVER	SS400	1	
8	GLAND FLANGE	SS400	1	
7	GLAND BUSH	PTFE	1	
6	PACKING	NBR	1	
5	DISC PIN	See Table 4	1SET	
4	SHAFT	See Table 3	1	
3	BODY SEAT	See Table 2	1	
2	DISC	See Table 1	1	
1	BODY	SC480	1	

No.	PART NAME	MATERIAL	Q'TY	REMARK
APPD	H.T	MODEL	DN400~DN550	DWG.No
CHKD	K.T	TITLE	CONCENTRIC SEMI LUG	
DWG.	H.T	GEAR TYPE BUTTERFLY VALVE		SCALE
			DATE	2018/6/27
			SCALE	N/S



WORLD VALVE CO.,LTD.

DIMENSIONS

UNIT: mm

NOMINAL DIAMETER	L	FLANGE 5K		FLANGE 10K		H1	H2	H3	H4	P	E	øM	Approx. Weight (kg)	Gear Ratio
		øC	N-M TAP	øC	N-M TAP									
600A(24")	154	715	4-M24	730	4-M30	446	505	135	560	310	103	400	338	48:1
650A(26")	165	770	4-M24	780	4-M30	464	535	135	590	310	103	400	386	48:1

Position Code	A1	A7	B1	B3
Sketch View From Valve Top Side				

APPLICABLE CODE

1. FLANGE RATING : JIS B 2220
2. FACE TO FACE DIMENSION : JIS F 7480
3. DESIGN BASE : API 609
4. HYDROSTATIC TEST : API 598

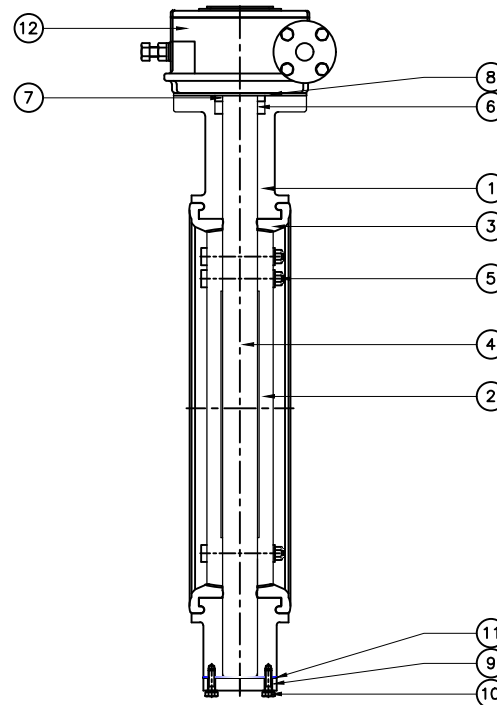
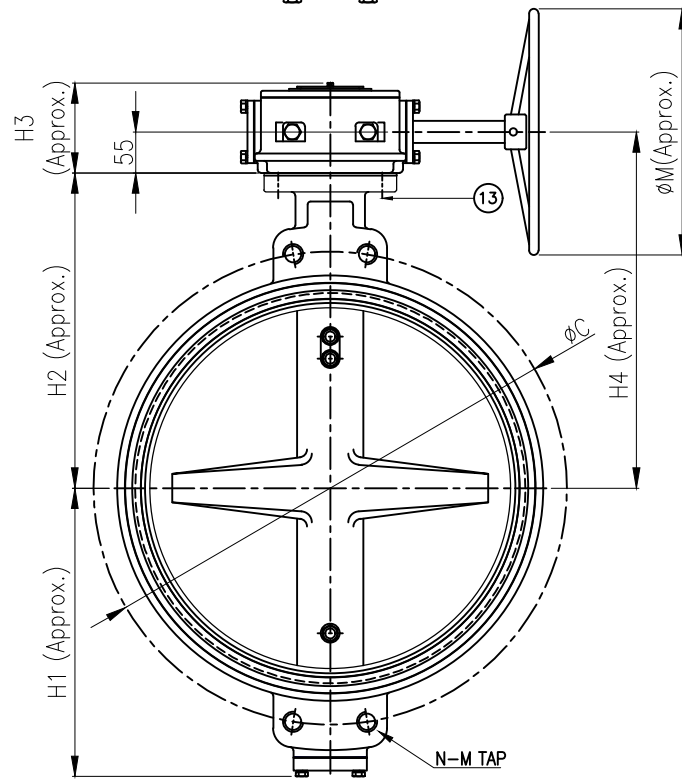
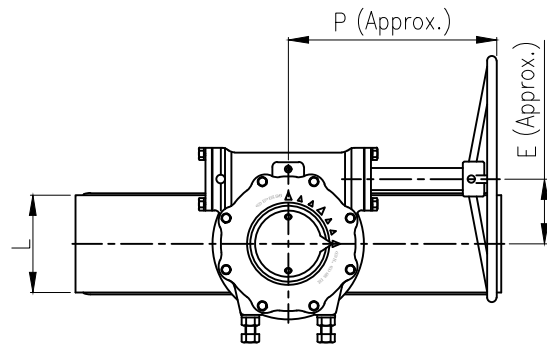
FLANGE 5K/10K	DESIGN PRESSURE 5K/10K
SHELL TEST	DESIGN PRESSURE X 1.5
SEAT TEST	DESIGN PRESSURE X 1.1

Table 4	SUS304	SUS316	
Table 3	SUS304	SUS316	
Table 2	NBR	EPDM	Hi-NBR
Table 1	SCS13	SCS14	

13	GEAR BOX BOLT	CARBON STEEL	1SET	
12	GEAR BOX	ASS'Y	1	
11	GASKET	GRAPHITE	1	
10	END COVER BOLT	CARBON STEEL	1SET	
9	END COVER	SS400	1	
8	GLAND FLANGE	SS400	1	
7	GLAND BUSH	PTFE	1	
6	PACKING	NBR	1	
5	DISC BOLT	See Table 4	1SET	
4	SHAFT	See Table 3	1	
3	BODY SEAT	See Table 2	1	
2	DISC	See Table 1	1	
1	BODY	SC480	1	
No.	PART NAME	MATERIAL	Q'TY	REMARK

APPD	H.T	MODEL	DN600~DN650	DWG.No	WV17-1211-01	
CHKD	K.T	TITLE	CONCENTRIC SEMI LUG		DATE	2018/6/27
DWG.	H.T	GEAR TYPE BUTTERFLY VALVE		SCALE	N/S	

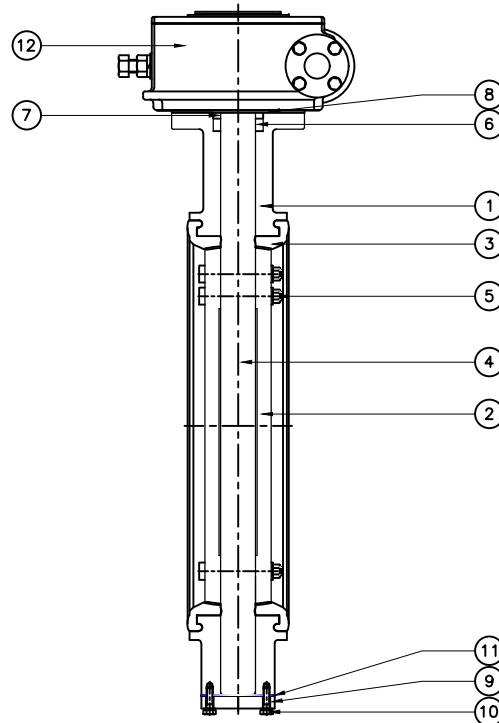
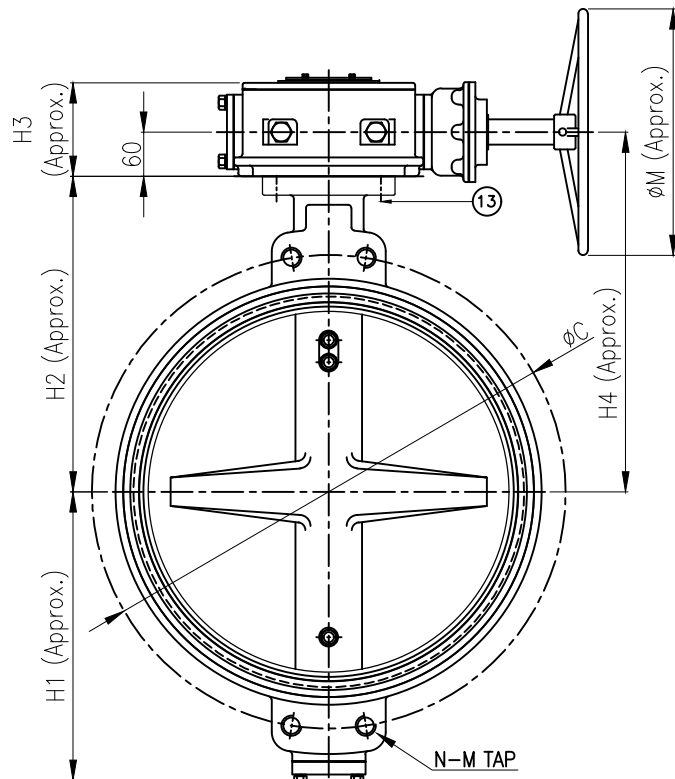
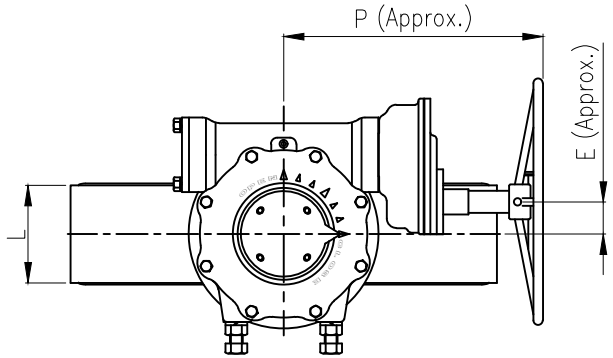
WORLD VALVE CO.,LTD.



DIMENSIONS

UNIT: mm

NOMINAL DIAMETER	L	FLANGE 5K		FLANGE 10K		H1	H2	H3	H4	P	E	øM	Gear Ratio
		øC	N-M TAP	øC	N-M TAP								
700A(28")	165	820	4-M24	840	4-M30	517	555	150	615	400	180	400	52:1S
750A(30")	190	880	4-M30	900	4-M30	530	595	150	655	400	180	500	52:1S
800A(32")	190	930	4-M30	950	4-M30	581	640	150	700	400	180	500	52:1S



Position Code	A1	A7	B1	B3
Sketch View From Valve Top Side				

APPLICABLE CODE

1. FLANGE RATING : JIS B 2220
2. FACE TO FACE DIMENSION : JIS F 7480
3. DESIGN BASE : API 609
4. HYDROSTATIC TEST : API 598

FLANGE 5K/10K	DESIGN PRESSURE 5K/10K
SHELL TEST	DESIGN PRESSURE X 1.5
SEAT TEST	DESIGN PRESSURE X 1.1

Table 4	SUS304	SUS316	
Table 3	SUS304	SUS316	
Table 2	NBR	EPDM	Hi-NBR
Table 1	SCS13	SCS14	

13	GEAR BOX BOLT	CARBON STEEL	1SET
12	GEAR BOX	ASS'Y	1
11	GASKET	GRAPHITE	1
10	END COVER BOLT	CARBON STEEL	1SET
9	END COVER	SS400	1
8	GLAND FLANGE	SS400	1
7	GLAND BUSH	PTFE	1
6	PACKING	NBR	1
5	DISC BOLT	See Table 4	1SET
4	SHAFT	See Table 3	1
3	BODY SEAT	See Table 2	1
2	DISC	See Table 1	1
1	BODY	SC480	1

No.	PART NAME	MATERIAL	Q'TY	REMARK
APPD	H.T	MODEL	DN700~DN800	DWG.No
CHKD	K.T	TITLE	CONCENTRIC SEMI LUG	
DWG.	H.T	GEAR TYPE BUTTERFLY VALVE		SCALE



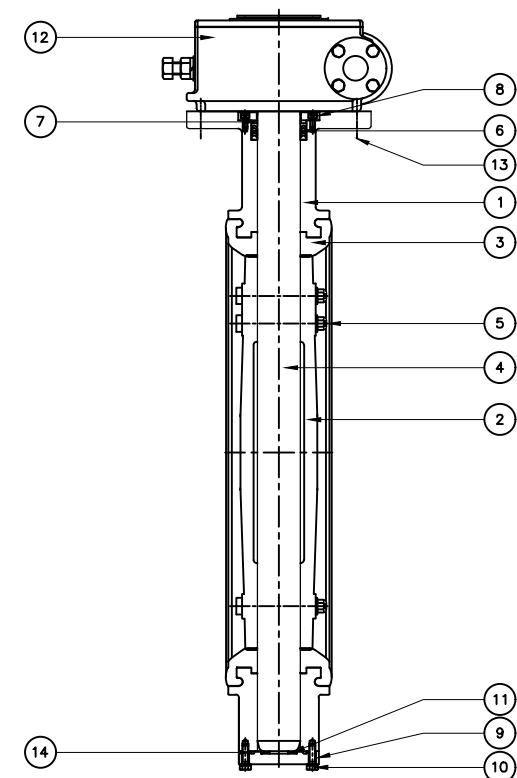
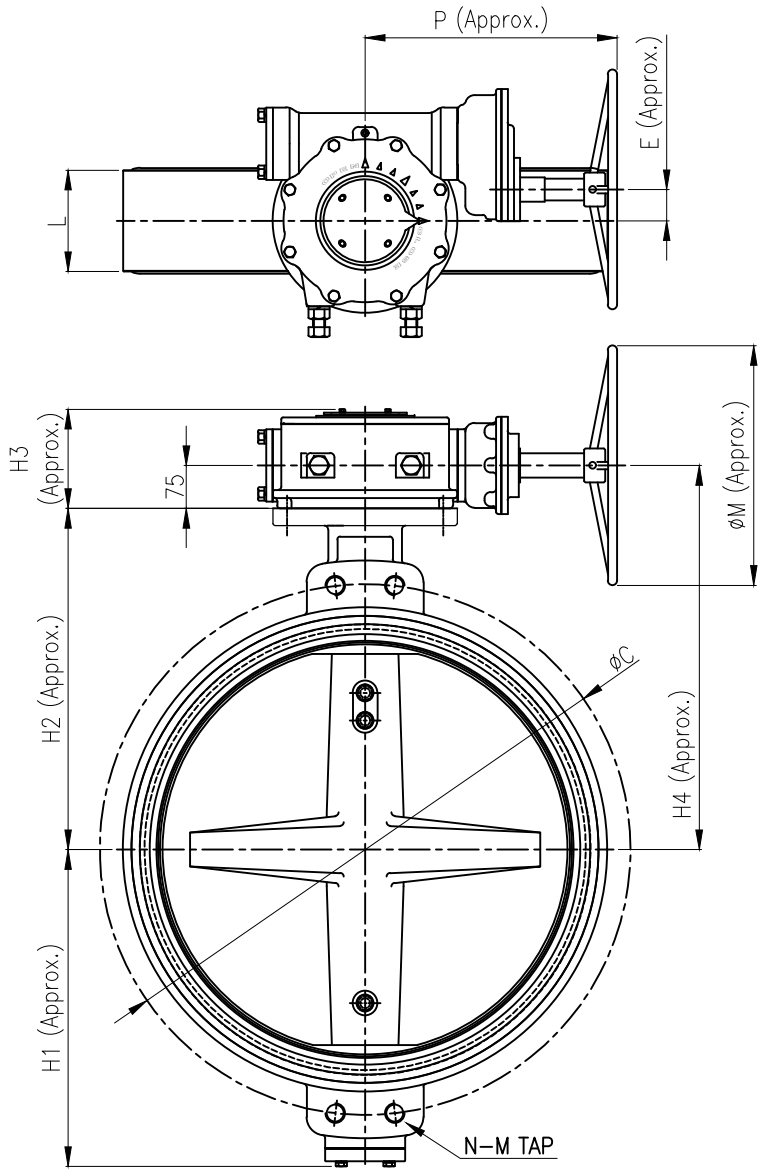
WORLD VALVE CO.,LTD.

DATE 2018/6/27
N/S

DIMENSIONS

UNIT: mm

NOMINAL DIAMETER	L	FLANGE 5K		FLANGE 10K		H1	H2	H3	H4	P	E	øM	Gear Ratio
		øC	N-M TAP	øC	N-M TAP								
850A(34")	210	980	4-M30	1000	4-M30	605	650	170	725	420	86	500	60:1S



Position Code	A1	A7	B1	B3
Sketch View From Valve Top Side				

APPLICABLE CODE

1. FLANGE RATING : JIS B 2220
2. FACE TO FACE DIMENSION : JIS F 7480
3. DESIGN BASE : API 609
4. HYDROSTATIC TEST : API 598

FLANGE 5K/10K	DESIGN PRESSURE 5K/10K
SHELL TEST	DESIGN PRESSURE X 1.5
SEAT TEST	DESIGN PRESSURE X 1.1

Table 4	SUS304	SUS316	
Table 3	SUS304	SUS316	
Table 2	NBR	EPDM	Hi-NBR
Table 1	SCS13	SCS14	

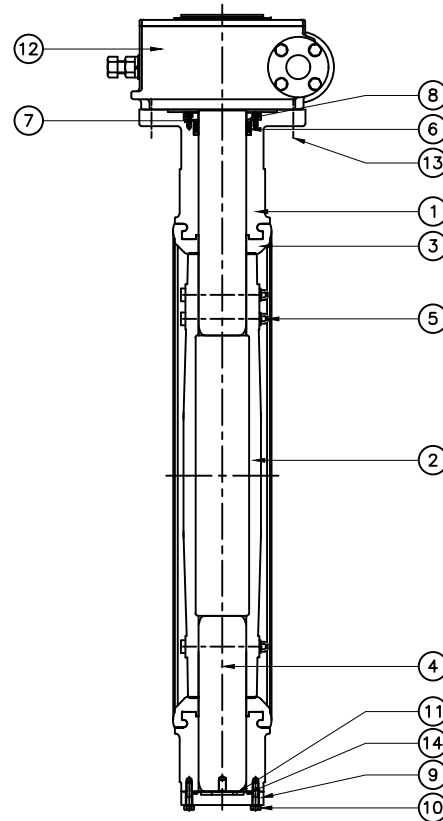
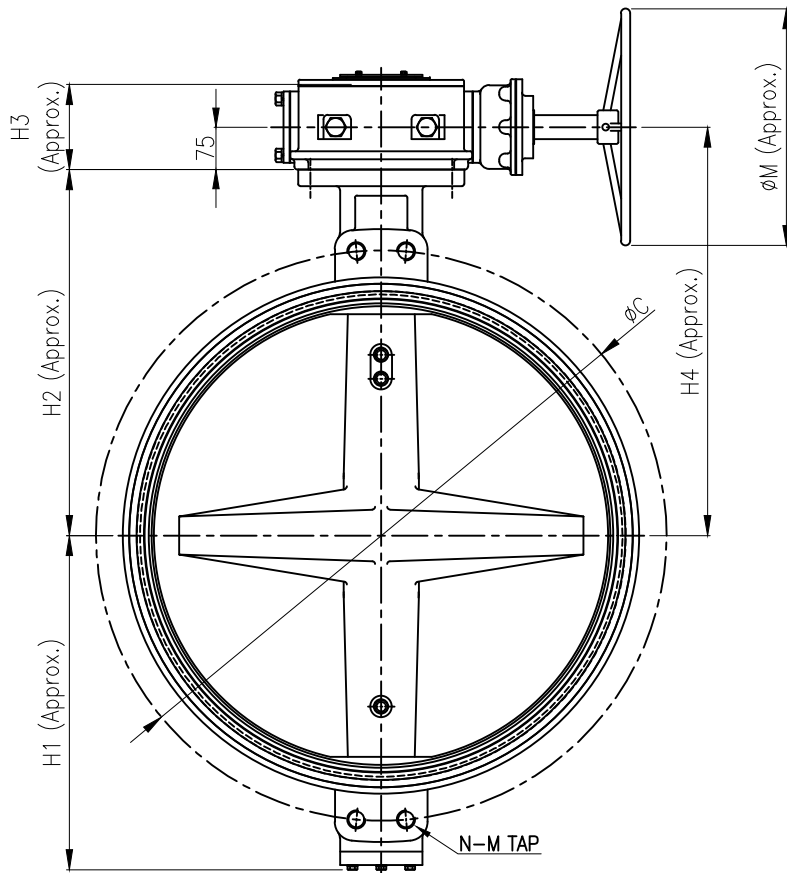
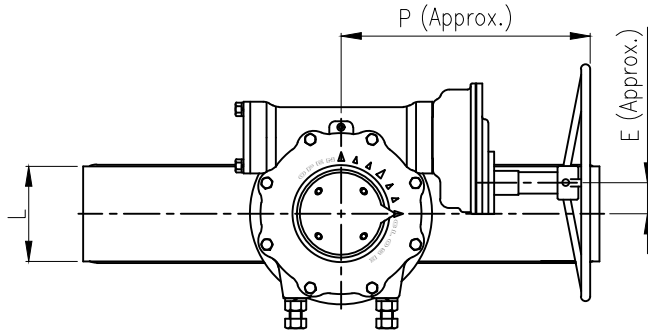
14	PACKING	NBR	1	
13	GEAR BOX BOLT	CARBON STEEL	1SET	
12	GEAR BOX	ASS'Y	1	
11	THRUST BEARING	BC6	1	
10	END COVER BOLT	CARBON STEEL	1SET	
9	END COVER	SS400	1	
8	GLAND FLANGE	SS400	1	
7	GLAND BUSH	PTFE	1	
6	PACKING	NBR	1	
5	DISC BOLT	See Table 4	1SET	
4	SHAFT	See Table 3	1	
3	BODY SEAT	See Table 2	1	
2	DISC	See Table 1	1	
1	BODY	SC480	1	

No.	PART NAME	MATERIAL	Q'TY	REMARK
APPD	H.T	MODEL	DN850	DWG.No
CHKD	K.T	TITLE		DATE
DWG.	H.T	GEAR TYPE BUTTERFLY VALVE		SCALE

DIMENSIONS

UNIT: mm

NOMINAL DIAMETER	L	FLANGE 5K		FLANGE 10K		H1	H2	H3	H4	P	E	øM	Gear Ratio
		øC	N-M TAP	øC	N-M TAP								
900A(36")	203	1030	4-M30	1050	4-M30	641	695	170	770	420	86	500	60:1S
1000A(40")	216	1130	4-M30	1160	4-M36	704	770	170	845	420	86	500	60:1S



Position Code	A1	A7	B1	B3
Sketch View From Valve Top Side				

APPLICABLE CODE

1. FLANGE RATING : JIS B 2220
2. FACE TO FACE DIMENSION : JIS F 7480
3. DESIGN BASE : API 609
4. HYDROSTATIC TEST : API 598

FLANGE 5K/10K	DESIGN PRESSURE 5K/10K
SHELL TEST	DESIGN PRESSURE X 1.5
SEAT TEST	DESIGN PRESSURE X 1.1

Table 4	SUS304	SUS316	
Table 3	SUS304	SUS316	
Table 2	NBR	EPDM	Hi-NBR
Table 1	SCS13	SCS14	

14	PACKING	NBR	1	
13	GEAR BOX BOLT	CARBON STEEL	1SET	
12	GEAR BOX	ASS'Y	1	
11	THRUST BEARING	BC6	1	
10	END COVER BOLT	CARBON STEEL	1SET	
9	END COVER	SS400	1	
8	GLAND FLANGE	SS400	1	
7	GLAND BUSH	PTFE	1	
6	PACKING	NBR	1	
5	DISC BOLT	See Table 4	1SET	
4	SHAFT	See Table 3	1	
3	BODY SEAT	See Table 2	1	
2	DISC	See Table 1	1	
1	BODY	SC480	1	
No.	PART NAME	MATERIAL	Q'TY	REMARK

APPD	H.T	MODEL	DN900~DN1000	DWG.No	WW17-1211-01	
CHKD	K.T	TITLE	CONCENTRIC SEMI LUG		DATE	2018/6/27
DWG.	H.T	GEAR TYPE BUTTERFLY VALVE			SCALE	N/S