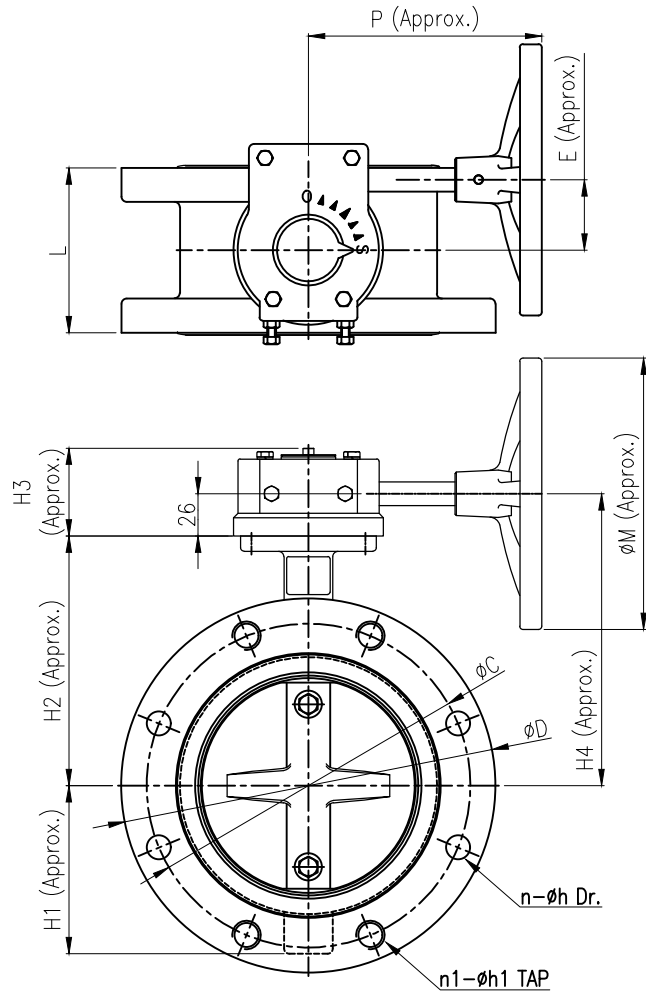


# DIMENSIONS

UNIT: mm

NOMINAL DIAMETER	L	FLANGE 5K(One Side)				FLANGE 10K(One Side)				H1	H2	H3	H4	P	E	øM	Approx. Weight (kg)	Gear Ratio
		øD	øC	n-øh Dr.	n1-øh1 Tap	øD	øC	n-øh Dr.	n1-øh1 Tap									
40A(1 1/2")	40	120	95	-	4-M12	140	105	-	4-M16	55	115	56	141	145	43	150	17	24:1
50A(2")	43	130	105	-	4-M12	155	120	-	4-M16	58	130	56	156	145	43	150	17.5	24:1
65A(2 1/2")	46	155	130	-	4-M12	175	140	-	4-M16	65	142	56	168	145	43	150	19.5	24:1
80A(3")	60	180	145	-	4-M16	185	150	-	8-M16	78	150	56	176	145	43	150	21.5	24:1
100A(4")	60	200	165	-	8-M16	210	175	-	8-M16	93	163	56	189	145	43	150	24.5	24:1
125A(5")	100	235	200	4-ø19	4-M16	250	210	4-ø23	4-M20	116	176	56	202	145	43	150	27.5	24:1
150A(6")	100	265	230	4-ø19	4-M16	280	240	4-ø23	4-M20	128	185	56	211	145	43	150	31.5	24:1
200A(8")	100	320	280	4-ø23	4-M20	330	290	8-ø23	4-M20	155	230	56	256	145	43	200	35.5	24:1



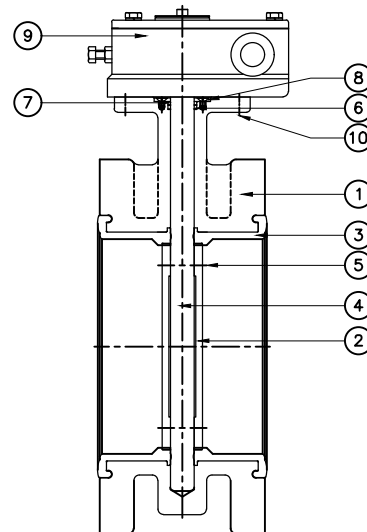
Position Code	A1	A7	B1	B3
Sketch View From Valve Top Side				

**APPLICABLE CODE**

1. FLANGE RATING : JIS B 2220
2. FACE TO FACE DIMENSION : JIS F 7480
3. DESIGN BASE : API 609
4. HYDROSTATIC TEST : API 598

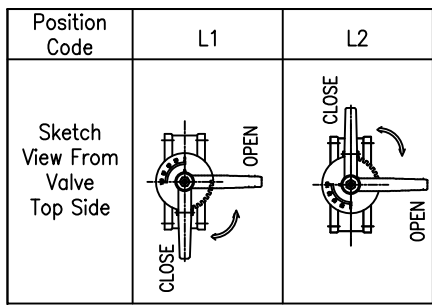
FLANGE 5K/10K	DESIGN PRESSURE 5K/10K
SHELL TEST	DESIGN PRESSURE X 1.5
SEAT TEST	DESIGN PRESSURE X 1.1

Table 4	SUS304	SUS316	
Table 3	SUS304	SUS316	
Table 2	NBR	EPDM	Hi-NBR
Table 1	SCS13	SCS14	

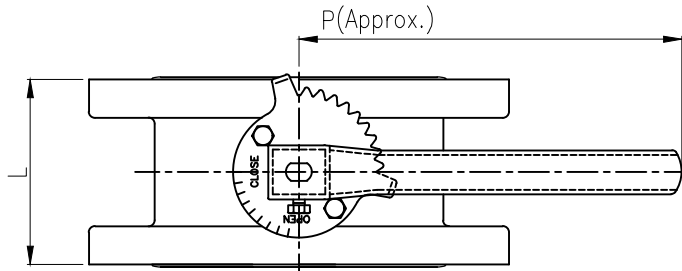


10	GEAR BOX BOLT	CARBON STEEL	1SET	
9	GEAR BOX	ASS'Y	1	
8	GLAND FLANGE	SS400	1	
7	GLAND BUSH	PTFE	1	
6	PACKING	NBR	1	
5	DISC PIN	See Table 4	1SET	
4	SHAFT	See Table 3	1	
3	BODY SEAT	See Table 2	1	
2	DISC	See Table 1	1	
1	BODY	SC480	1	

No.	PART NAME	MATERIAL	Q'TY	REMARK
APPD	H.T	MODEL	DN40~DN200	DWG.No
CHKD	K.T	TITLE		DATE
DWG.	H.T	GEAR TYPE BUTTERFLY VALVE		SCALE



DIMENSIONS																UNIT: mm
NOMINAL DIAMETER	L	FLANGE 5K(One Side)				FLANGE 10K(One Side)				H1	H2	H3	P	Approx. Weight (kg)		
		∅D	∅C	n-∅h Dr.	n1-∅h1 Tap	∅D	∅C	n-∅h Dr.	n1-∅h1 Tap							
40A(1 1/2")	40	120	95	-	4-M12	140	105	-	4-M16	55	115	34	210	12		
50A(2")	43	130	105	-	4-M12	155	120	-	4-M16	58	130	34	210	13		
65A(2 1/2")	46	155	130	-	4-M12	175	140	-	4-M16	65	142	34	210	15		
80A(3")	60	180	145	-	4-M16	185	150	-	8-M16	78	150	34	262	17		
100A(4")	60	200	165	-	8-M16	210	175	-	8-M16	93	163	34	262	20		
125A(5")	100	235	200	4-∅19	4-M16	250	210	4-∅23	4-M20	116	176	34	262	23		
150A(6")	100	265	230	4-∅19	4-M16	280	240	4-∅23	4-M20	128	185	34	262	27		
200A(8")	100	320	280	4-∅23	4-M20	330	290	8-∅23	4-M20	155	230	34	262	32		

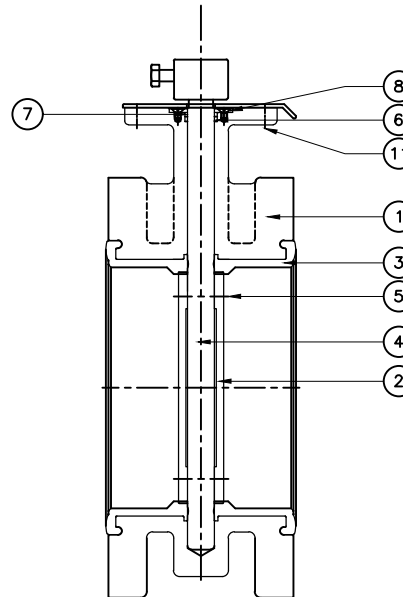
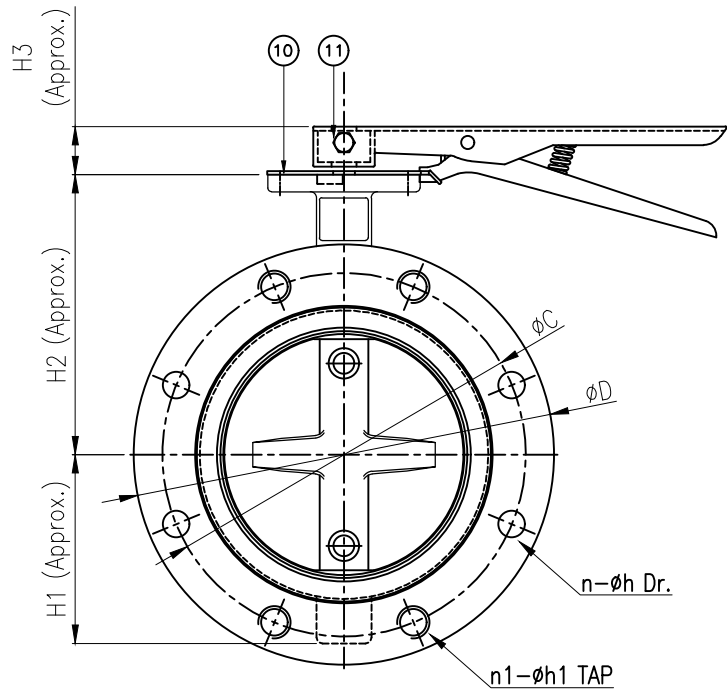


APPLICABLE CODE

1. FLANGE RATING : JIS B 2220
2. FACE TO FACE DIMENSION : JIS F 7480
3. DESIGN BASE : API 609
4. HYDROSTATIC TEST : API 598

FLANGE 5K/10K	DESIGN PRESSURE 5K/10K
SHELL TEST	DESIGN PRESSURE X 1.5
SEAT TEST	DESIGN PRESSURE X 1.1

Table 4	SUS304	SUS316	
Table 3	SUS304	SUS316	
Table 2	NBR	EPDM	Hi-NBR
Table 1	SCS13	SCS14	



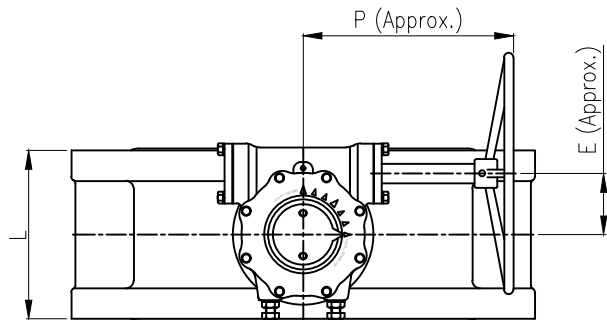
No.	PART NAME	MATERIAL	Q'TY	REMARK
11	LEVER BOLT	CARBON STEEL	1SET	
10	LEVER	SS400	1	
9	INDICATOR	SS400	1	
8	GLAND FLANGE	SS400	1	
7	GLAND BUSH	PTFE	1	
6	PACKING	NBR	1	
5	DISC PIN	See Table 4	1SET	
4	SHAFT	See Table 3	1	
3	BODY SEAT	See Table 2	1	
2	DISC	See Table 1	1	
1	BODY	SC480	1	

APPD	H.T	MODEL	DN40~DN150	DWG.No	WV17-1211-01	
CHKD	K.T	TITLE	CONCENTRIC FLANGE		DATE	2018/6/27
DWG.	H.T	LEVER TYPE BUTTERFLY VALVE			SCALE	N/S

## DIMENSIONS

UNIT: mm

NOMINAL DIAMETER	L	FLANGE 5K(One Side)				FLANGE 10K(One Side)				H1	H2	H3	H4	P	E	φM	Approx. Weight (kg)	Gear Ratio
		φD	φC	n-φh Dr.	n1-φh 1TAP	φD	φC	n-φh Dr.	n1-φh1 TAP									
250A(10")	110	385	345	8-φ23	4-M20	400	355	8-φ25	4-M22	231	267	70	302	210	65	260	55	32:1
300A(12")	110	430	390	8-φ23	4-M20	445	400	12-φ25	4-M22	267	310	70	345	210	65	260	73	32:1
350A(14")	120	480	435	8-φ25	4-M22	490	445	12-φ25	4-M22	298	338	70	373	210	65	260	90	32:1
400A(16")	130	540	495	12-φ25	4-M22	560	510	12-φ27	4-M24	332	375	100	425	280	79	350	152	42:1



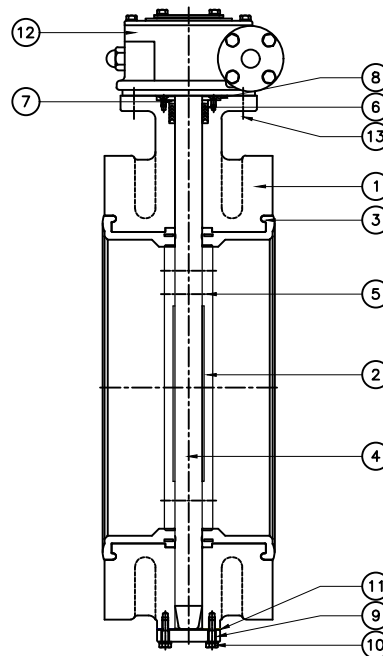
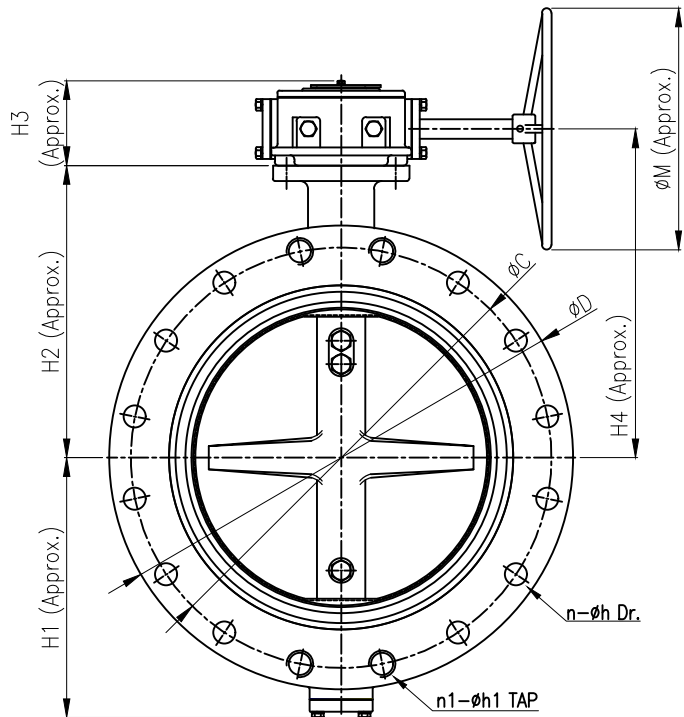
Position Code	A1	A7	B1	B3
Sketch View From Valve Top Side				

### APPLICABLE CODE

1. FLANGE RATING : JIS B 2220
2. FACE TO FACE DIMENSION : JIS F 7480
3. DESIGN BASE : API 609
4. HYDROSTATIC TEST : API 598

FLANGE 5K/10K	DESIGN PRESSURE 5K/10K
SHELL TEST	DESIGN PRESSURE X 1.5
SEAT TEST	DESIGN PRESSURE X 1.1

Table 4	SUS304	SUS316	
Table 3	SUS304	SUS316	
Table 2	NBR	EPDM	Hi-NBR
Table 1	SCS13	SCS14	



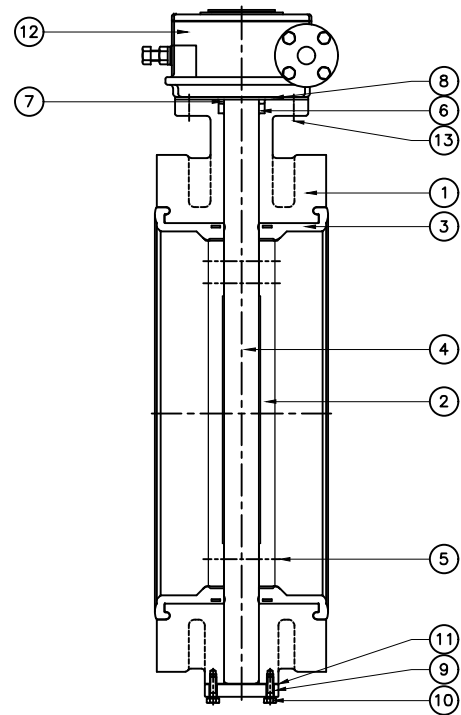
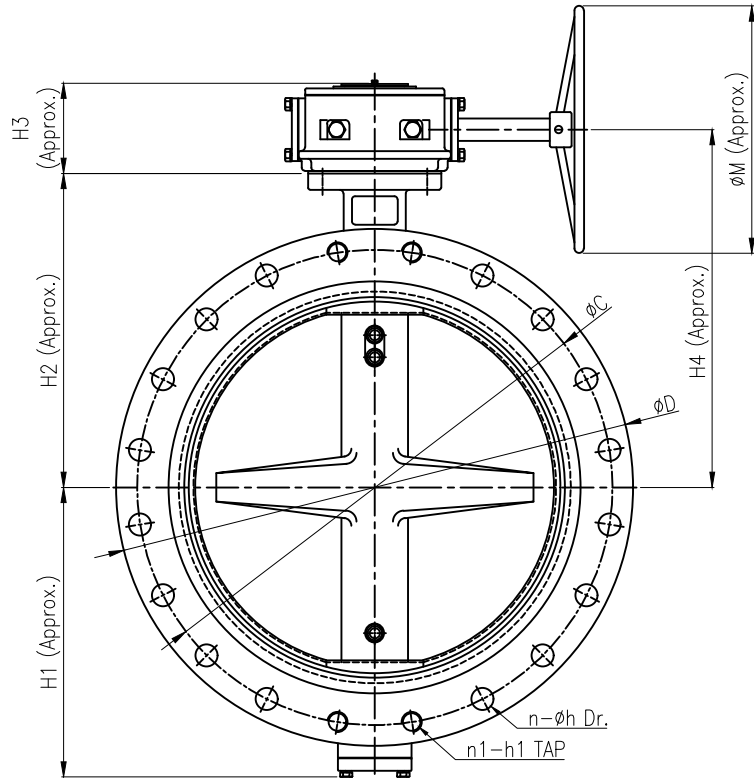
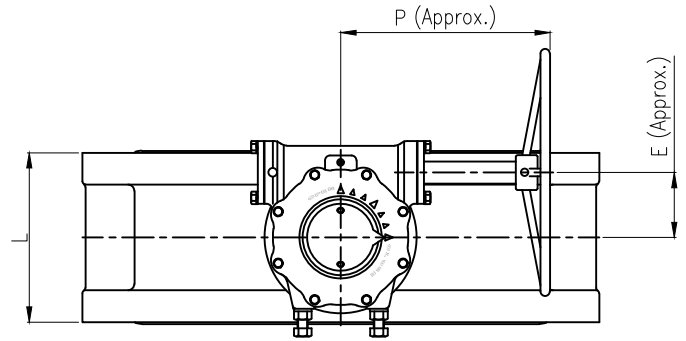
13	GEAR BOX BOLT	CARBON STEEL	1SET
12	GEAR BOX	ASS'Y	1
11	GASKET	GRAPHITE	1
10	END COVER BOLT	CARBON STEEL	1SET
9	END COVER	SS400	1
8	GLAND FLANGE	SS400	1
7	GLAND BUSH	PTFE	1
6	PACKING	NBR	1
5	DISC PIN	See Table 4	1SET
4	SHAFT	See Table 3	1
3	BODY SEAT	See Table 2	1
2	DISC	See Table 1	1
1	BODY	SC480	1

No.	PART NAME	MATERIAL	Q'TY	REMARK
APPD	H.T	MODEL	DN250~DN400	DWG.No
CHKD	K.T	TITLE	CONCENTRIC FLANGE	
DWG	H.T	GEAR TYPE BUTTERFLY VALVE		SCALE

# D I M E N S I O N S

UNIT: mm

NOMINAL DIAMETER	L	FLANGE 5K				FLANGE 10K				H1	H2	H3	H4	P	E	φM	Approx. Weight (kg)	Gear Ratio
		φD	φC	n-φh Dr.(One side)	n1-h1 TAP(One side)	φD	φC	n-φh Dr.(One side)	n1-h1 TAP(One side)									
450A(18")	150	605	555	12-φ25	4-M22	620	565	16-φ27	4-M24	350	390	100	440	280	79	350	176	42:1
500A(20")	160	655	605	16-φ25	4-M22	675	620	16-φ27	4-M24	395	450	135	505	310	103	400	278	48:1
550A(22")	170	720	665	16-φ27	4-M24	745	680	16-φ33	4-M30	430	460	135	515	310	103	400	358	48:1



Position Code	A1	A7	B1	B3
Sketch View From Valve Top Side				

APPLICABLE CODE

1. FLANGE RATING : JIS B 2220
2. FACE TO FACE DIMENSION : JIS F 7480
3. DESIGN BASE : API 609
4. HYDROSTATIC TEST : API 589

FLANGE 5K/10K	DESIGN PRESSURE 5K/10K
SHELL TEST	DESIGN PRESSURE X 1.5
SEAT TEST	DESIGN PRESSURE X 1.1

Table 4	SUS304	SUS316	
Table 3	SUS304	SUS316	
Table 2	NBR	EPDM	Hi-NBR
Table 1	SCS13	SCS14	

13	GEAR BOX BOLT	CARBON STEEL	1SET
12	GEAR BOX	ASS'Y	1
11	GASKET	GRAPHITE	1
10	END COVER BOLT	CARBON STEEL	1SET
9	END COVER	SS400	1
8	GLAND FLANGE	SS400	1
7	GLAND BUSH	PTFE	1
6	PACKING	NBR	1
5	DISC PIN	See Table 4	1SET
4	SHAFT	See Table 3	1
3	BODY SEAT	See Table 2	1
2	DISC	See Table 1	1
1	BODY	SC480	1

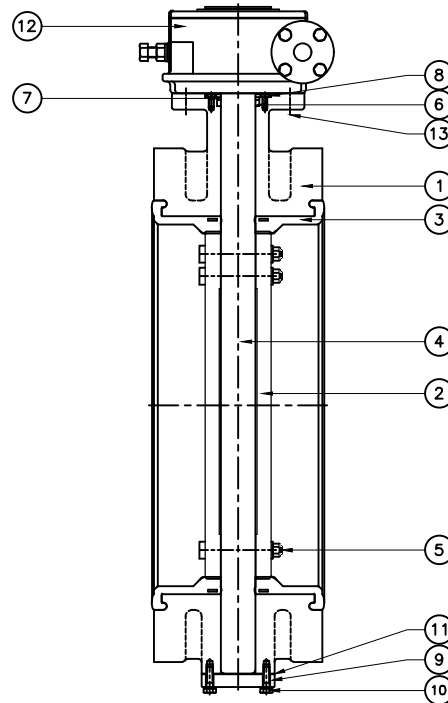
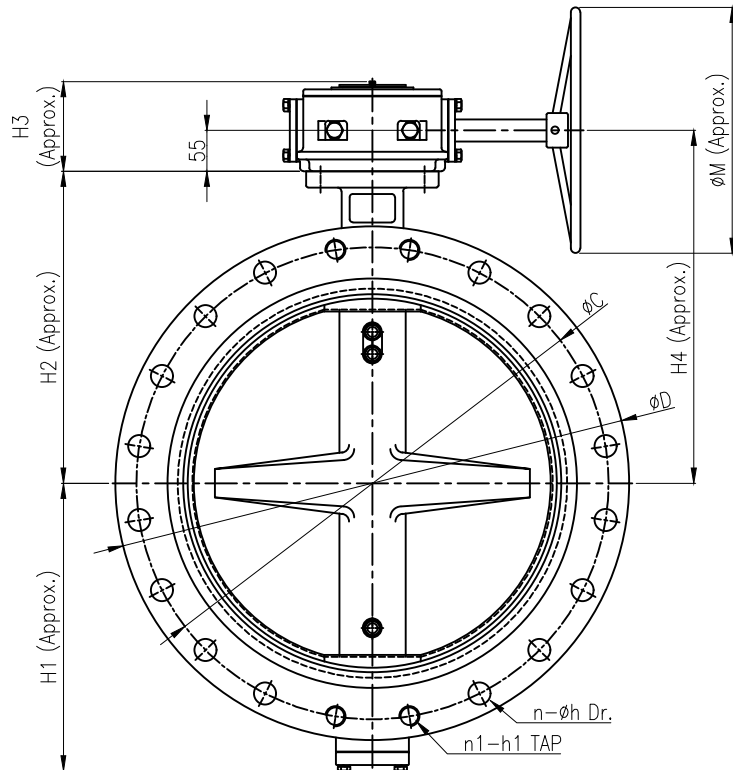
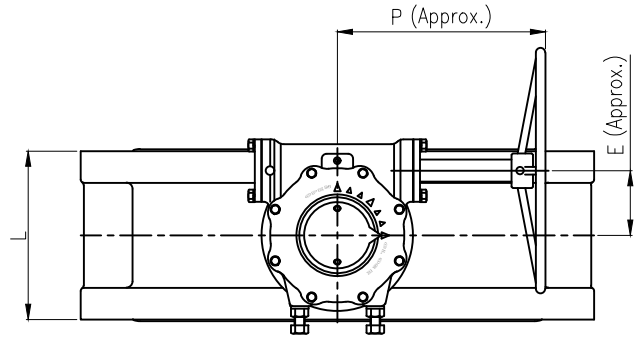
No.	PART NAME	MATERIAL	Q'TY	REMARK
APPD	H.T	MODEL	DN450~DN550	DWG.No
CHKD	K.T	TITLE	CONCENTRIC FLANGE	
DWG.	H.T	GEAR TYPE BUTTERFLY VALVE		SCALE

DATE	2018/6/27
N/S	

# DIMENSIONS

UNIT: mm

NOMINAL DIAMETER	L	FLANGE 5K				FLANGE 10K				H1	H2	H3	H4	P	E	øM	Approx. Weight (kg)	Gear Ratio
		øD	øC	n-øh Dr.(One side)	n1-h1 TAP(One side)	øD	øC	n-øh Dr.(One side)	n1-h1 TAP(One side)									
600A(24")	170	770	715	16-ø27	4-M24	795	730	20-ø33	4-M30	455	505	135	560	310	103	400	448	48:1
650A(26")	170	825	770	20-ø27	4-M24	845	780	20-ø33	4-M30	464	535	135	590	310	103	400	478	48:1



Position Code	A1	A7	B1	B3
Sketch View From Valve Top Side				

**APPLICABLE CODE**

1. FLANGE RATING : JIS B 2220
2. FACE TO FACE DIMENSION : JIS F 7480
3. DESIGN BASE : API 609
4. HYDROSTATIC TEST : API 598

FLANGE 5K/10K	DESIGN PRESSURE 5K/10K
SHELL TEST	DESIGN PRESSURE X 1.5
SEAT TEST	DESIGN PRESSURE X 1.1

Table 4	SUS304	SUS316	
Table 3	SUS304	SUS316	
Table 2	NBR	EPDM	Hi-NBR
Table 1	SCS13	SCS14	

13	GEAR BOX BOLT	CARBON STEEL	1SET
12	GEAR BOX	ASS'Y	1
11	GASKET	GRAPHITE	1
10	END COVER BOLT	CARBON STEEL	1SET
9	END COVER	SS400	1
8	GLAND FLANGE	SS400	1
7	GLAND BUSH	PTFE	1
6	PACKING	NBR	1
5	DISC BOLT	See Table 4	1SET
4	SHAFT	See Table 3	1
3	BODY SEAT	See Table 2	1
2	DISC	See Table 1	1
1	BODY	SC480	1

No.	PART NAME	MATERIAL	Q'TY	REMARK
APPD	H.T	MODEL	DN600~DN650	DWG.No
CHKD	K.T	TITLE		DATE
DWG.	H.T	GEAR TYPE BUTTERFLY VALVE		SCALE

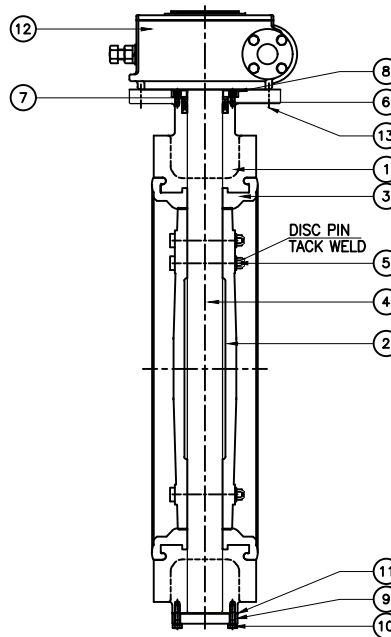
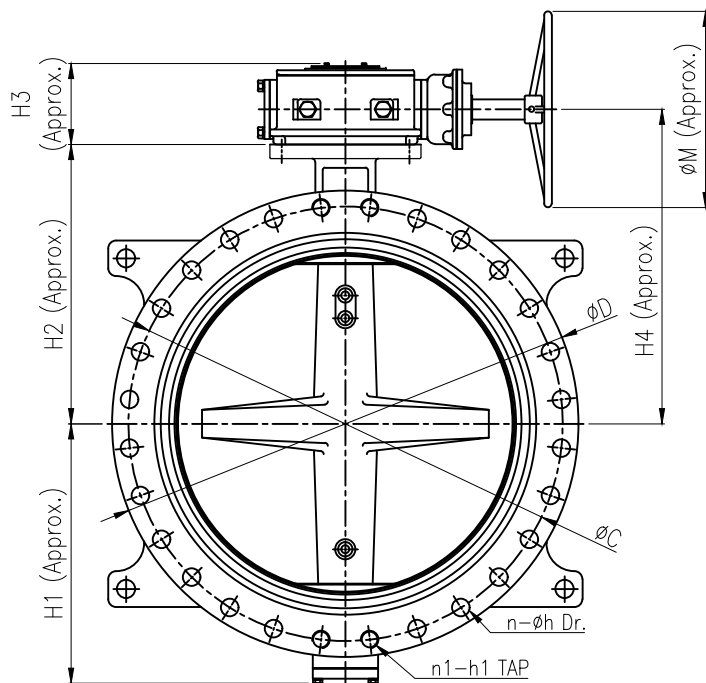
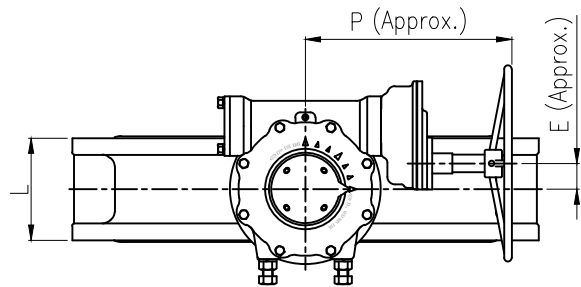


WORLD VALVE CO.,LTD.

# D I M E N S I O N S

UNIT: mm

NOMINAL DIAMETER	L	FLANGE 5K				FLANGE 10K				H1	H2	H3	H4	P	E	øM	Gear Ratio
		øD	øC	n-øh Dr.(One side)	n1-h1 TAP(One side)	øD	øC	n-øh Dr.(One side)	n1-h1 TAP(One side)								
700A(28")	180	875	820	20-ø27	4-M24	905	840	20-ø33	4-M30	517	555	150	615	400	180	400	52:1S
750A(30")	190	945	880	20-ø33	4-M30	970	900	20-ø33	4-M30	530	595	150	655	400	180	500	52:1S
800A(32")	200	995	930	20-ø33	4-M30	1020	950	24-ø33	4-M30	581	640	150	700	400	180	500	52:1S
850A(34")	210	1045	980	20-ø33	4-M30	1070	1000	24-ø33	4-M30	605	650	170	725	420	86	500	60:1S



Position Code	A1	A7	B1	B3
Sketch View From Valve Top Side				

APPLICABLE CODE

1. FLANGE RATING : JIS B 2220
2. FACE TO FACE DIMENSION : JIS F 7480
3. DESIGN BASE : API 609
4. HYDROSTATIC TEST : API 598

FLANGE 5K/10K	DESIGN PRESSURE 5K/10K
SHELL TEST	DESIGN PRESSURE X 1.5
SEAT TEST	DESIGN PRESSURE X 1.1

Table 4	SUS304	SUS316	
Table 3	SUS304	SUS316	
Table 2	NBR	EPDM	Hi-NBR
Table 1	SCS13	SCS14	

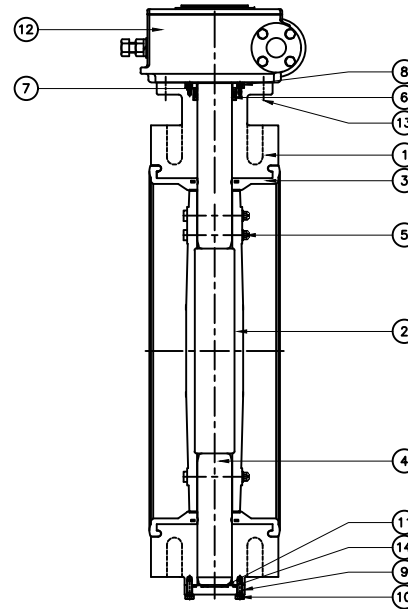
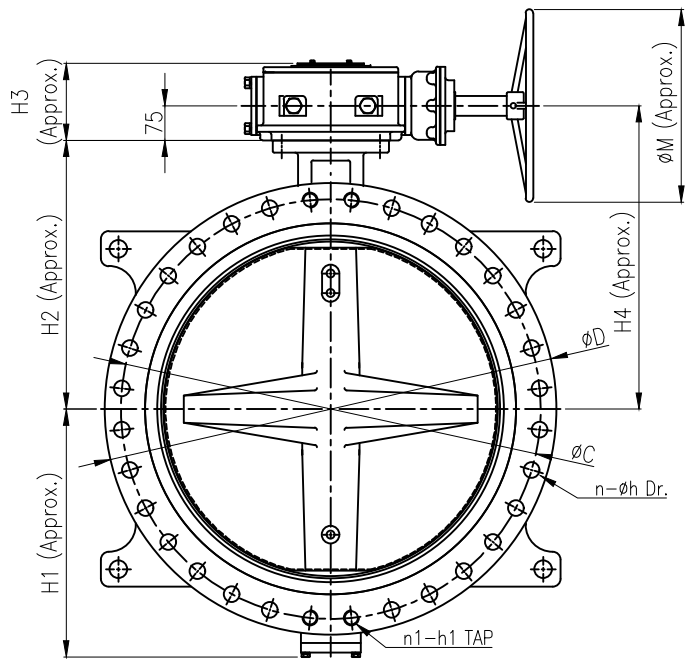
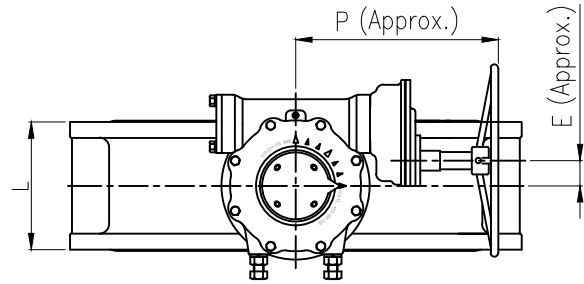
13	GEAR BOX BOLT	CARBON STEEL	1SET	
12	GEAR BOX	ASS'Y	1	
11	GASKET	GRAPHITE	1	
10	END COVER BOLT	CARBON STEEL	1SET	
9	END COVER	SS400	1	
8	GLAND FLANGE	SS400	1	
7	GLAND BUSH	PTFE	1	
6	PACKING	NBR	1	
5	DISC BOLT	See Table 4	1SET	
4	SHAFT	See Table 3	1	
3	BODY SEAT	See Table 2	1	
2	DISC	See Table 1	1	
1	BODY	SC480	1	
No.	PART NAME	MATERIAL	Q'TY	REMARK

APPD	H.T	MODEL	DN700~DN850	DWG.No	WW17-1211-01	
CHKD	K.T	TITLE			DATE	2018/6/27
DWG.	H.T	GEAR TYPE BUTTERFLY VALVE			SCALE	N/S

# D I M E N S I O N S

UNIT: mm

NOMINAL DIAMETER	L	FLANGE 5K				FLANGE 10K				H1	H2	H3	H4	P	E	øM	Gear Ratio
		øD	øC	n-øh Dr.(One side)	n1-h1 TAP(One side)	øD	øC	n-øh Dr.(One side)	n1-h1 TAP(One side)								
900A(36")	230	1095	1030	20-ø33	4-M30	1120	1050	24-ø33	4-M30	641	695	170	770	420	86	500	60:1S
1000A(40")	250	1195	1130	24-ø33	4-M30	1235	1160	24-ø39	4-M36	704	770	170	845	420	86	500	60:1S



Position Code	A1	A7	B1	B3
Sketch View From Valve Top Side				

**APPLICABLE CODE**

1. FLANGE RATING : JIS B 2220
2. FACE TO FACE DIMENSION : JIS F 7480
3. DESIGN BASE : API 609
4. HYDROSTATIC TEST : API 598

FLANGE 5K/10K	DESIGN PRESSURE 5K/10K
SHELL TEST	DESIGN PRESSURE X 1.5
SEAT TEST	DESIGN PRESSURE X 1.1

Table 4	SUS304	SUS316	
Table 3	SUS304	SUS316	
Table 2	NBR	EPDM	Hi-NBR
Table 1	SCS13	SCS14	

14	PACKING	NBR	1
13	GEAR BOX BOLT	CARBON STEEL	1SET
12	GEAR BOX	ASS'Y	1
11	THRUST BEARING	BC6	1
10	END COVER BOLT	CARBON STEEL	1SET
9	END COVER	SS400	1
8	GLAND FLANGE	SS400	1
7	GLAND BUSH	PTFE	1
6	PACKING	NBR	1
5	DISC BOLT	See Table 4	1SET
4	SHAFT	See Table 3	1
3	BODY SEAT	See Table 2	1
2	DISC	See Table 1	1
1	BODY	SC480	1

No.	PART NAME	MATERIAL	Q'TY	REMARK
APPD	H.T	MODEL	DN900~DN1000	DWG.No
CHKD	K.T	TITLE		DATE
DWG.	H.T	CONCENTRIC FLANGE GEAR TYPE BUTTERFLY VALVE		SCALE



**WORLD VALVE CO.,LTD.**